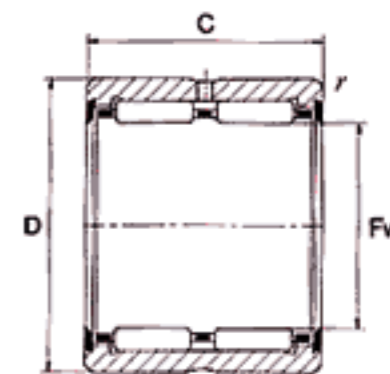
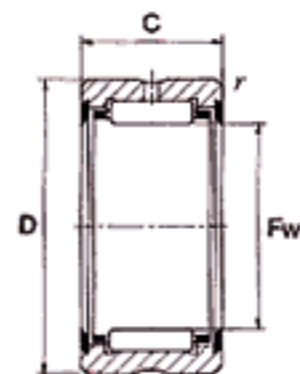


MACHINED RING NEEDLE ROLLER BEARINGS

SEALED, WITHOUT INNER RING



RNA49 UU, RNA69 UU (Fw ≤ 35)

RNA69 UU

JNS: RNA49 UU, RNA69 UU SEALED TYPE

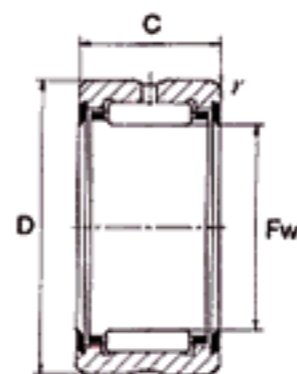
Fw	Dimensions (mm)			Basic dynamic load rating Cr N	Basic static load rating Cor N	Limiting speed rpm ²⁾	Designation		Weight g
	D	C	r _s min ¹⁾				RNA 49 UU	RNA 69 UU	
14	22	13	0.3	8 000	8 500	14 000	RNA 4900 UU	—	16
16	24	13	0.3	8 400	9 300	12 000	RNA 4901 UU	—	18
	24	22	0.3	15 600	20 400		—	RNA 6901 UU	30
20	28	13	0.3	9 600	11 700	9 500	RNA 4902 UU	—	22
	28	23	0.3	18 400	27 100	9 500	—	RNA 6902 UU	38
22	30	13	0.3	10 300	13 100	8 500	RNA 4903 UU	—	23
	30	23	0.3	19 800	30 600	8 500	—	RNA 6903 UU	40
25	37	17	0.3	17 900	20 500	7 500	RNA 4904 UU	—	55
	37	30	0.3	33 000	44 500	7 500	—	RNA 6904 UU	96
28	39	17	0.3	18 300	23 600	7 000	RNA 49/22 UU	—	56
	39	30	0.3	33 800	52 000	7 000	—	RNA 69/22 UU	98
30	42	17	0.3	20 300	25 100	6 500	RNA 4905 UU	—	63
	42	30	0.3	39 200	58 600	6 500	—	RNA 6905 UU	110
32	45	17	0.3	21 000	26 800	6 000	RNA 49/28 UU	—	76
	45	30	0.3	38 900	59 100	6 000	—	RNA 69/28 UU	130
35	47	17	0.3	21 600	28 400	5 500	RNA 4906 UU	—	71
	47	30	0.3	40 100	63 100	5 500	—	RNA 6906 UU	130
40	52	20	0.6	29 300	44 100	5 000	RNA 49/32 UU	—	95
	52	36	0.6	50 300	88 400	5 000	—	RNA 69/32 UU	170

1) Smallest permissible chamfer dimension.

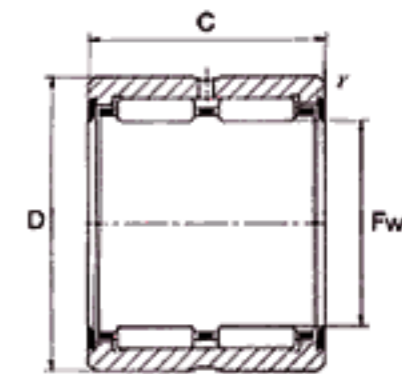
2) Suitable for grease lubrication.

MACHINED RING NEEDLE ROLLER BEARINGS

SEALED, WITHOUT INNER RING



RNA49 UU



RNA69 UU

JNS:RNA49 UU, RNA69 UU SEALED TYPE

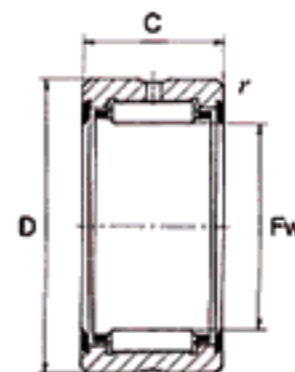
Fw	Dimensions (mm)			Basic dynamic load rating Cr N	Basic static load rating Cor N	Limiting speed rpm ²⁾	Designation		Weight g
	D	C	r_s min ¹⁾				RNA 49 UU	RNA 69 UU	
42	55	20	0.6	30 100	46 300	4 500	RNA 4907 UU	—	110
	55	36	0.6	51 600	92 600	4 500	—	RNA 6907 UU	200
48	62	22	0.6	37 200	58 300	4 000	RNA 4908 UU	—	150
	62	40	0.6	63 700	116 700	4 000	—	RNA 6908 UU	270
52	68	22	0.6	38 800	63 400	3 500	RNA 4909 UU	—	190
	68	40	0.6	66 700	126 500	3 500	—	RNA 6909 UU	355
58	72	22	0.6	41 300	71 100	3 500	RNA 4910 UU	—	180
	72	40	0.6	70 800	142 200	3 500	—	RNA 6910 UU	320
63	80	25	1	52 200	85 700	3 000	RNA 4911 UU	—	260
	80	45	1	89 400	171 600	3 000	—	RNA 6911 UU	470
68	85	25	1	54 500	92 800	3 000	RNA 4912 UU	—	280
	85	45	1	93 500	185 300	3 000	—	RNA 6912 UU	500
72	90	25	1	56 900	100 000	2 500	RNA 4913 UU	—	320
	90	45	1	97 500	200 100	2 500	—	RNA 6913 UU	570
80	100	30	1	76 900	143 200	2 500	RNA 4914 UU	—	490
	100	54	1	123 600	281 500	2 500	—	RNA 6914 UU	900
85	105	30	1	79 600	153 000	2 000	RNA 4915 UU	—	510
	105	54	1	127 500	299 100	2 000	—	RNA 6915 UU	960
90	110	30	1	80 700	157 900	2 000	RNA 4916 UU	—	540
	110	54	1	132 400	316 800	2 000	—	RNA 6916 UU	1 000

1) Smallest permissible chamfer dimension.

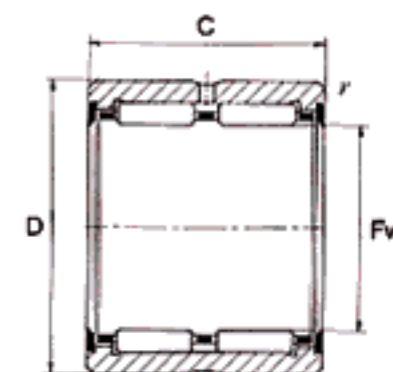
2) Suitable for grease lubrication.

MACHINED RING NEEDLE ROLLER BEARINGS

SEALED, WITHOUT INNER RING



RNA49 UU



RNA69 UU

JNS:RNA49 UU, RNA69 UU SEALED TYPE

Fw	Dimensions (mm)			Basic dynamic load rating Cr N	Basic static load rating Cor N	Limiting speed rpm ²⁾	Designation		Weight g
	D	C	r 's min ¹⁾				RNA 49 UU	RNA 69 UU	
100	120	35	1.1	103 000	225 600	1 900	RNA 4917 UU	—	690
	120	63	1.1	167 700	447 200	1 900	—	RNA 6917 UU	1 250
105	125	35	1.1	105 900	237 300	1 800	RNA 4918 UU	—	720
	125	63	1.1	172 600	470 700	1 800	—	RNA 6918 UU	1 360
110	130	35	1.1	109 800	250 100	1 700	RNA 4919 UU	—	750
	130	63	1.1	176 500	493 300	1 700	—	RNA 6919 UU	1 430

1) Smallest permissible chamfer dimension.

2) Suitable for grease lubrication.